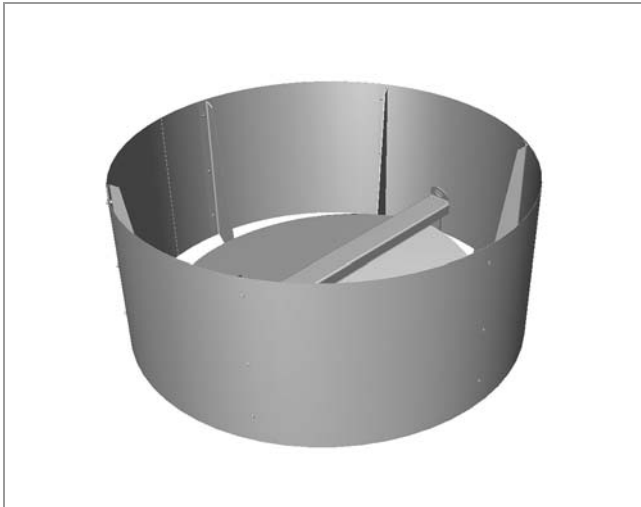


# Roof hood

# UPP



## Description

UPP is circular roof hood intended for exhaust air for high airflows (1 – 40 m<sup>3</sup>/s). The air discharges vertically from the hood and it is especially suitable for industrial applications. The hood incorporates a butterfly damper that opens when the air flow and pressure is sufficient and closes when fan is not running. When closed, the butterfly damper prevent the ingress of snow and water. For rainwater the hood is free-draining downwards.

If exhaust air-flow has a very high humidity, then we recommend the use of model UPPV.

UPP is manufactured as standard from galvanized steel Z275, but is also available in stainless steel EN 1.4404 or painted in most common RAL colours.

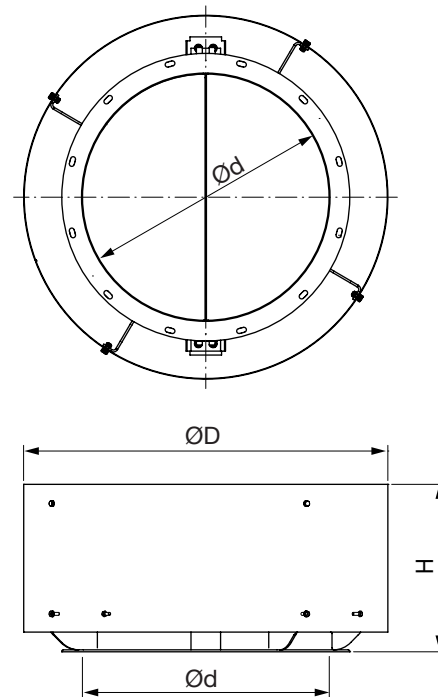
All dimensions Ø315 – 1600 mm are supplied with a flange connection as standard. They are also supplied with lifting lugs.

## Order code

<b>Product</b>	UPP	aaa	b	c
UPP				
<b>Size Ød</b>				
Ø315–1600 mm				
<b>Material</b>				
1 Galvanized steel				
2 Stainless steel				
3 Painted				
<b>Connection</b>				
4 Eurovent flange				
5 Other flange (please specify)				

Example: UPP 630 – 1 – 4

## Dimensions



Ød nom	ØD [mm]	H [mm]	m [kg]
315	554	340	16
400	639	340	19
450	689	340	21
500	739	340	23
560	799	340	24
630	869	340	27
710	949	340	29
800	1103	550	55
900	1203	550	60
1000	1303	650	74
1120	1423	650	88
1250	1553	650	96
1400	1703	650	109
1600	1903	650	113

# Roof hood

UPP

## Technical data

