

# Reducer

# RCUSS

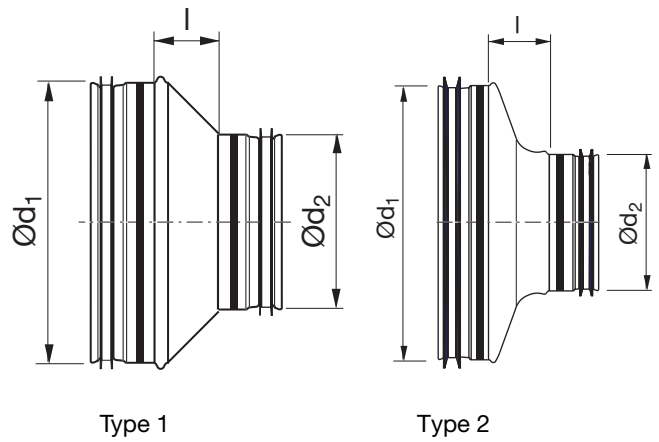


## Description

Pressed, concentric reducer to meet demands for short installation length with low pressure drop and low internal noise generation.

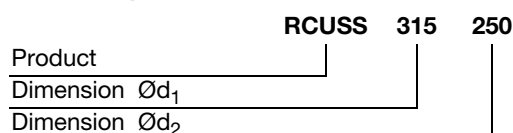
The product is CE marked according to EN 12101-7 and used in a circular smoke control system - single compartment (see declaration of performance).

## Dimensions



Ød <sub>1</sub> nom	Ød <sub>2</sub> nom	l [mm]	Type	m [kg]
125	100	27	1	0,21
150	100	41	2	0,20
150	125	31	2	0,15
160	100	46	2	0,17
160	125	35	2	0,22
160	150	22	1	0,26
180	100	55	1	0,24
180	125	40	1	0,37
180	150	27	1	0,29
180	160	20	1	0,26
200	100	46	2	0,22
200	125	55	2	0,30
200	150	37	1	0,37
200	160	39	2	0,29
200	180	26	1	0,35
224	150	48	1	0,53
224	160	44	1	0,53
224	180	34	1	0,48
224	200	24	1	0,45
250	125	70	1	0,62
250	150	62	1	0,60
250	160	60	2	0,46
250	180	47	1	0,59
250	200	42	2	0,46
250	224	29	1	0,57
300	200	59	2	0,64
300	250	34	1	0,71
315	160	91	1	0,86
315	200	74	1	0,72
315	250	50	1	0,65
355	250	69	1	1,08

## Ordering example



## Reducer

## RCUSS

$\text{\O}d_1$ nom	$\text{\O}d_2$ nom	l [mm]	Type	m [kg]
355	315	33	1	0,99
400	200	118	1	1,37
400	250	94	1	1,38
400	315	54	1	1,29
500 *	250	128	1	2,30
500	315	95	1	1,90
500	400	68	1	1,76
630 *	315	160	1	3,37
630 *	400	118	1	3,17
630 *	500	68	1	2,89

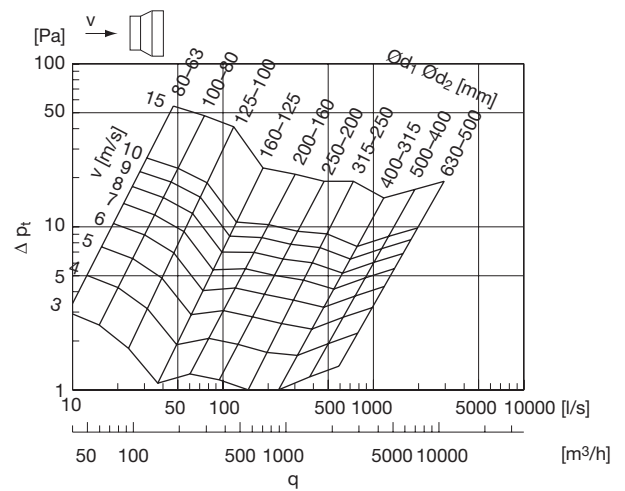
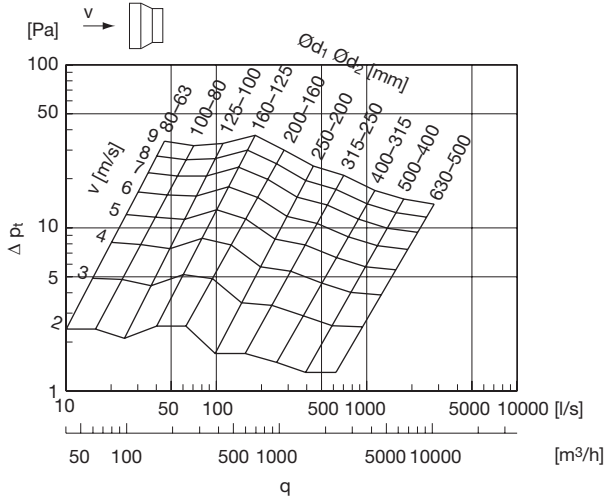
\* Hand made

# Reducer

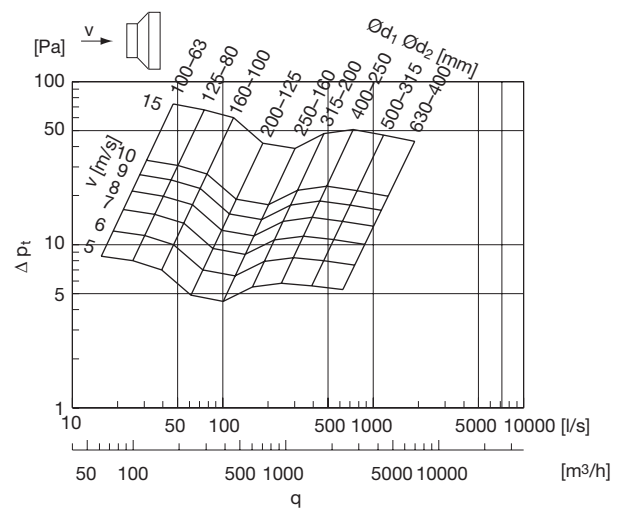
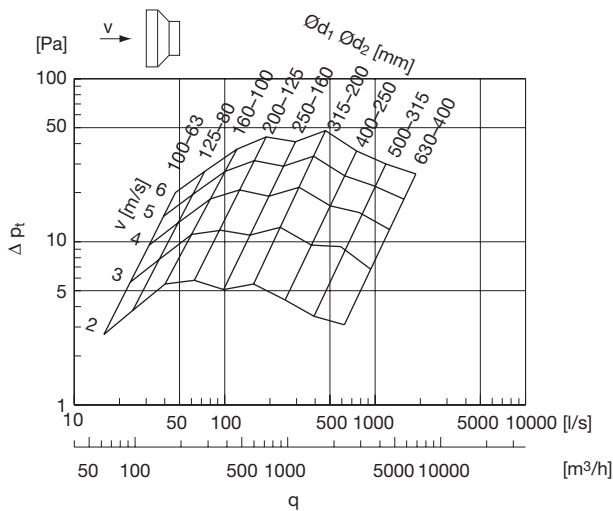
# RCUSS

## Technical data

### 1 dimension step



### 2 dimension steps



### 3 dimension steps

