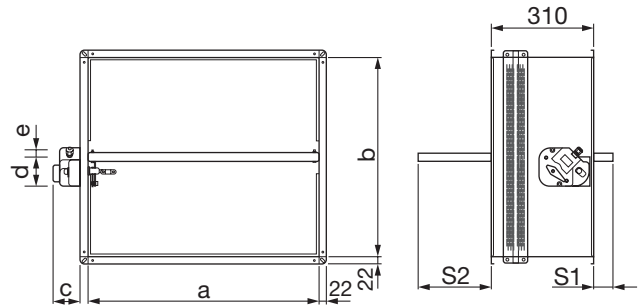


# Fire damper

# WK25



## Dimensions



## Description

Rectangular fire damper for air duct system that penetrate fire resistance walls or floors. With 25 mm thick closing blade made from refractory material. Casing leakage performance class C according to Standard EN1751:2014 section C.3.

The damper prevents fire and smoke from spreading through the air duct system. Tested and classified in accordance with EN 1366-2 and EN 13501-3 with 500 Pa negative pressure and CE marked in accordance with EN 15650.

a nom	b nom
100	200
150	250
200	300
250	350
300	400
350	450
400	500
450	550
500	600
550	
600	
650	
700	
750	
800	

Product code		
Type	WK	Rectangular fire damper
Series	25	Blade thickness 25 mm
Manual command		
Command type	B	Manual command
	C	Compact manual command
	M	Manual command with magnet
Position indication microswitches	S0	Without position microswitches
	S2	With two position microswitches (included for MR/MI versions)
Magnet	M0	Without magnet (only for command type "B" and "C")
	MR	With power supply interruption magnet through electric board 24 V DC or 48 V DC
	MI	With power supply input magnet through electric board 24 V DC or 48 V DC
Motorized		
Motor type	VSS	Siemens motor GRA 126 (24V)
	DSS	Siemens motor GRA 326 (230V)
	VS	Belimo motor BFL24T (24V)
	DS	Belimo motor BFL230T (230V)
	TS	Belimo motor BFL24T-ST (24V)
Base (a)	XYZ	Nominal dimension (mm)
Height (b)	XYZ	Nominal dimension (mm)

All combinations of base (a) and height (b) dimensions are available. It is possible to pair two dampers for bigger duct dimension.

b nom	S1 (blade exposition) mm	S2
200	-	21,5
250	-	46,5
300	-	71,5
350	-	96,5
400	-	121,5
450	-	146,5
500	7,5	171,5
550	32,5	196,5
600	57,5	221,5

## Ordering example

	WK25M	200	300	S2MR
Mechanism type	_____			
Side a	_____			
Side b	_____			
Control mechanism	_____			

# Fire damper

WK25

## Technical data

**Mechanism type:**

WK25B - Manual basic

WK25M - Manual with magnet

WK25 VSB/DSB - Belimo motorized version

WK25 VSS/DSS - Siemens motorized version

<b>Mechanism type</b>	<b>c mm</b>	<b>d mm</b>	<b>e mm</b>
WK25B	84	88	28
WK25M	104	151	51
WK25VSB/DSB	74	92	164
WK25VSS/DSS	78	73	107

## Fire damper

WK25

## Technical data

Fire resistance classification according to EN 13501-3.

			EI 180 S (500 Pa)	EI 120 S (500 Pa)	EI 90 S (500 Pa)	EI 60 S (500 Pa)
Rigid wall	<b>EI 120 S – Installation within vertical rigid wall</b> Wall min. thickness 100 mm Wall min. density 550 kg/m <sup>3</sup> Mortar or plaster putty sealing ve (i↔o)	Wet sealing method	-	a×b min 100×200 max 800×600	a×b min 100×200 max 800×600	a×b min 100×200 max 800×600
	<b>EI 120 S – Installation within vertical rigid wall</b> Wall min. thickness 100 mm Wall min. density 550 kg/m <sup>3</sup> Plasterboard and rock wool 100 kg/m <sup>3</sup> sealing ve (i↔o)	Dry sealing method		a×b min 100×200 max 800×600	a×b min 100×200 max 800×600	a×b min 100×200 max 800×600
Flexible wall	<b>EI 120 S – Installation within vertical light wall (plasterboard)</b> Wall min. thickness 100 mm Wall rock wool min. density 100 kg/m <sup>3</sup> Plasterboard and rock wool 100 kg/m <sup>3</sup> sealing ve (i↔o)	Dry sealing method	-	a×b min 100×200 max 800×600	a×b min 100×200 max 800×600	a×b min 100×200 max 800×600
	<b>EI 90 S – Installation within vertical light wall (gypsum block wall)</b> Wall min. thickness 70 mm Wall min. density 995 kg/m <sup>3</sup> Plasterboard sealing ve (i↔o)	Wet sealing method	-	-	a×b min 100×200 max 800×600	a×b min 100×200 max 800×600
	<b>EI 120 S – Installation within vertical light wall (gypsum block wall)</b> Wall min. thickness 100 mm Wall min. density 995 kg/m <sup>3</sup> Plasterboard sealing ve (i↔o)	Wet sealing method	-	a×b min 100×200 max 800×600	a×b min 100×200 max 800×600	a×b min 100×200 max 800×600
Floor	<b>EI 90 S – Installation within floor</b> Floor min. thickness 100 mm Floor min. density 650 kg/m <sup>3</sup> Mortar sealing ho (i↔o)	Wet sealing method	-	-	a×b min 100×200 max 800×600	a×b min 100×200 max 800×600
	<b>EI 120 S – Installation within floor</b> Floor min. thickness 150 mm Floor min. density 650 kg/m <sup>3</sup> Mortar sealing ho (i↔o)	Wet sealing method	-	a×b min 100×200 max 800×600	a×b min 100×200 max 800×600	a×b min 100×200 max 800×600
	<b>EI 180 S – Installation within floor</b> Floor min. thickness 150 mm Floor min. density 2200 kg/m <sup>3</sup> Mortar sealing ho (i↔o)	Wet sealing method	a×b min 100×200 max 800×600	a×b min 100×200 max 800×600	a×b min 100×200 max 800×600	a×b min 100×200 max 800×600

# Fire damper

WK25

## Technical data

Fire Batt (Weichschott) sealings.

		<b>EI 120 S (300 Pa)</b>	<b>EI 90 S (300 Pa)</b>	<b>EI 60 S (300 Pa)</b>	
<b>Rigid wall</b>	<b>EI 120 S Installation within rigid vertical wall with Fire Batt (Weichschott) sealing</b>				
	Wall min. thickness 100 mm Wall min. density 550 kg/m <sup>3</sup> Rock wool 140 kg/m <sup>3</sup> and endothermic varnish sealing ve (i↔o)	Wet sealing method	a×b min 100×200 max 800×600	a×b min 100×200 max 800×600	a×b min 100×200 max 800×600
<b>Flexible wall</b>	<b>EI 120 S Installation within vertical light wall (plasterboard) with Fire Batt (Weichschott) sealing</b>				
	Wall min. thickness 100 mm Wall rock wool min. density 100 kg/m <sup>3</sup> Rock wool 140 kg/m <sup>3</sup> and endothermic varnish sealing ve (i↔o)	Wet sealing method	a×b min 100×200 max 800×600	a×b min 100×200 max 800×600	a×b min 100×200 max 800×600
<b>Flexible wall</b>	<b>EI 120 S Installation within floor and Fire Batt (Weichschott) sealing</b>				
	Wall min. thickness 100 mm Wall min. density 995 kg/m <sup>3</sup> Rock wool 140 kg/m <sup>3</sup> and endothermic varnish sealing ve (i↔o)	Wet sealing method	a×b min 100×200 max 800×600	a×b min 100×200 max 800×600	a×b min 100×200 max 800×600
<b>Floor</b>	<b>EI 120 S Installation within floor and Fire Batt (Weichschott) sealing</b>				
	Floor min. thickness 150 mm Floor min. density 650 kg/m <sup>3</sup> Rock wool 140 kg/m <sup>3</sup> and endothermic varnish sealing ho (i↔o)	Wet sealing method	a×b min 100×200 max 800×600	a×b min 100×200 max 800×600	a×b min 100×200 max 800×600

# Fire damper

# WK25

## Technical data

Installations remote from the construction support.

		EI 120 S (300 Pa)	EI 90 S (500 Pa)
Rigid wall	<b>EI 120 S Installation remote from the vertical rigid wall</b> Wall min. thickness 100 mm Wall min. density 550 kg/m <sup>3</sup> Mortar or plaster putty sealing ve (i↔o)	a×b min 100×200 max 800×600	a×b min 100×200 max 800×600
	<b>EI 120 S Installation remote from the vertical rigid wall with Fire Batt (Weichschott) sealing</b> Wall min. thickness 100 mm Wall min. density 550 kg/m <sup>3</sup> Rock wool 140 kg/m <sup>3</sup> and endothermic varnish sealing ve (i↔o)	a×b min 100×200 max 800×600	a×b min 100×200 max 800×600
Flexible wall	<b>EI 120 S – Installation remote from the vertical light wall (plasterboard)</b> Wall min. thickness 100 mm Wall rock wool min. density 100 kg/m <sup>3</sup> Plasterboard and rock wool 100 kg/m <sup>3</sup> or mortar or plaster putty sealing ve (i↔o)	a×b min 100×200 max 800×600	a×b min 100×200 max 800×600
	<b>EI 120 S Installation remote from the vertical light wall (plasterboard) with Fire Batt (Weichschott) sealing</b> Wall minimum thickness 100 mm Wall rock wool minimum density 100 kg/m <sup>3</sup> Rock wool 140 kg/m <sup>3</sup> and endothermic varnish sealing ve (i↔o)	a×b min 100×200 max 800×600	a×b min 100×200 max 800×600
	<b>EI 120 S Installation remote from the vertical light wall (gypsum blocks wall)</b> Wall minimum thickness 100 mm Wall minimum density 995 kg/m <sup>3</sup> Mortar or plaster putty sealing ve (i↔o)	a×b min 100×200 max 800×600	a×b min 100×200 max 800×600
	<b>EI 120 S Installation remote from the vertical light wall (gypsum blocks wall) with Fire Batt (Weichschott) sealing</b> Wall minimum thickness 100 mm Wall minimum density 995 kg/m <sup>3</sup> Rock wool 140 kg/m <sup>3</sup> and endothermic varnish sealing ve (i↔o)	a×b min 100×200 max 800×600	a×b min 100×200 max 800×600

		EI 120 S (300 Pa)	EI 90 S (500 Pa)
	<b>EI 120 S Installation remote from the floor</b> Floor min. thickness 150 mm Floor min. density 650 kg/m <sup>3</sup> Mortar or plaster putty sealing he (i↔o)	Wet sealing method a×b min 100×200 max 800×600	a×b min 100×200 max 800×600
	<b>EI 120 S Installation remote from the floor</b> Floor min. thickness 100 mm Floor min. density 650 kg/m <sup>3</sup> Mortar or plaster putty sealing he (i↔o)	Wet sealing method a×b min 100×200 max 800×600	a×b min 100×200 max 800×600

## Technical data

Installation within vertical light wall (Shaft wall).

		EI 90 S (300 Pa)	EI 60 S (300 Pa)
Flexible wall	<b>EI 60 S Installation within vertical light wall (Shaft wall)</b> Wall minimum thickness 90 mm Plasterboard and mortar or plaster putty sealing ve (i↔o)	Wet sealing method -	a×b min 100×200 max 800×600

# Fire damper

WK25

a×b nominal dimensions of damper  
ve vertical installation  
ho horizontal installation  
(i↔o) origin of fire is irrelevant  
Pa negative pressure  
E integrity  
I thermal insulation  
S smoke seal

For more detailed information visit:  
<http://www.mp3-italia.it>

The fire resistance classifications refer to the conditions obtained by rigorously applying the instructions indicated in the Technical Manual, with reference both to the construction of the wall/ceiling and the installation of the damper.