

Reducer

RCFUSS

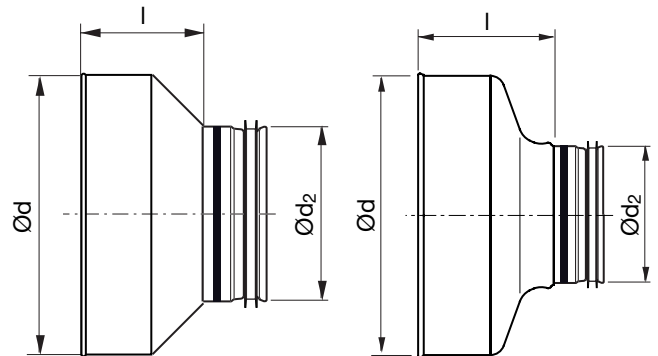


Description

Pressed, concentric reducer with female coupling to meet demands for short installation length with low pressure drop and low internal noise generation. $\varnothing d$ fits outside another fitting.

The product is CE marked according to EN 12101-7 and used in a circular smoke control system - single compartment (see declaration of performance).

Dimensions

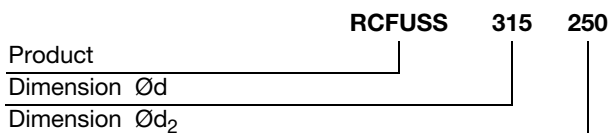


Type 1

Type 2

| $\varnothing d_1$ nom | $\varnothing d_2$ nom | l [mm] | Type | m [kg] |
|--------------------------|--------------------------|-----------|------|-----------|
| 125 * | 100 | 64 | 2 | 0,14 |
| 150 * | 100 | 78 | 2 | 0,20 |
| 150 | 125 | 66 | 2 | 0,17 |
| 160 * | 100 | 83 | 2 | 0,16 |
| 160 * | 125 | 71 | 2 | 0,20 |
| 160 * | 150 | 59 | 1 | 0,25 |
| 180 | 100 | 98 | 1 | 0,24 |
| 180 | 125 | 85 | 1 | 0,31 |
| 180 | 150 | 68 | 1 | 0,24 |
| 180 | 160 | 66 | 1 | 0,27 |
| 200 * | 100 | 84 | 2 | 0,23 |
| 200 * | 125 | 90 | 2 | 0,27 |
| 200 * | 150 | 75 | 1 | 0,34 |
| 200 * | 160 | 73 | 2 | 0,26 |
| 200 * | 180 | 63 | 1 | 0,32 |
| 224 | 150 | 92 | 1 | 0,45 |
| 224 | 160 | 87 | 1 | 0,49 |
| 224 | 180 | 76 | 1 | 0,46 |
| 224 | 200 | 66 | 1 | 0,45 |
| 250 * | 125 | 133 | 1 | 0,57 |
| 250 * | 150 | 122 | 1 | 0,56 |
| 250 * | 160 | 117 | 2 | 0,40 |
| 250 * | 180 | 107 | 1 | 0,55 |
| 250 * | 200 | 103 | 2 | 0,42 |
| 250 * | 224 | 89 | 1 | 0,53 |
| 300 | 200 | 119 | 1 | 0,68 |
| 300 | 250 | 94 | 1 | 0,66 |
| 315 * | 160 | 153 | 1 | 0,82 |
| 315 * | 200 | 134 | 2 | 0,77 |
| 315 * | 250 | 108 | 2 | 0,65 |
| 355 | 250 | 136 | 1 | 1,04 |

Ordering example



Reducer

RCFUSS

| $\text{\O}d_1$ nom | $\text{\O}d_2$ nom | l [mm] | Type | m [kg] |
|-----------------------|-----------------------|-----------|------|-----------|
| 355 | 315 | 97 | 1 | 0,89 |
| 400 * | 200 | 196 | 1 | 1,31 |
| 400 * | 250 | 174 | 1 | 1,37 |
| 400 * | 315 | 133 | 1 | 1,20 |
| 500 ** | 250 | 208 | 1 | 2,12 |
| 500 ** | 315 | 185 | 1 | 2,09 |
| 500 ** | 400 | 150 | 1 | 1,95 |
| 630 ** | 315 | 240 | 1 | 2,76 |
| 630 ** | 400 | 198 | 1 | 2,72 |
| 630 ** | 500 | 148 | 1 | 2,69 |

* With turned-over edge

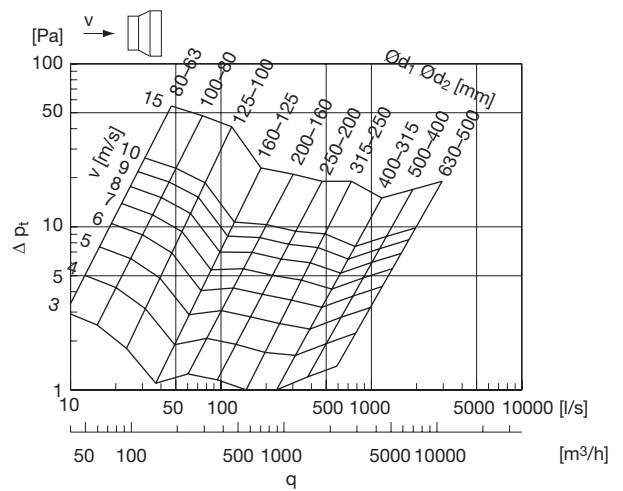
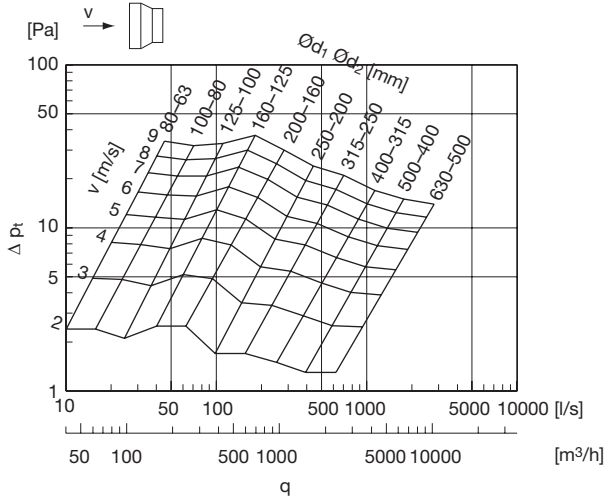
** Hand made

Reducer

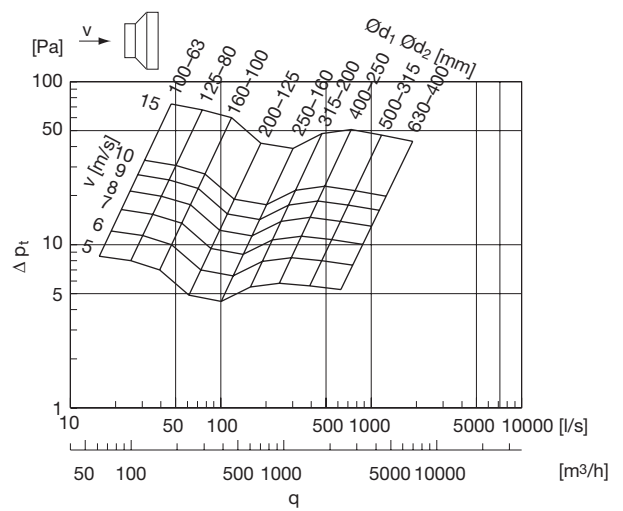
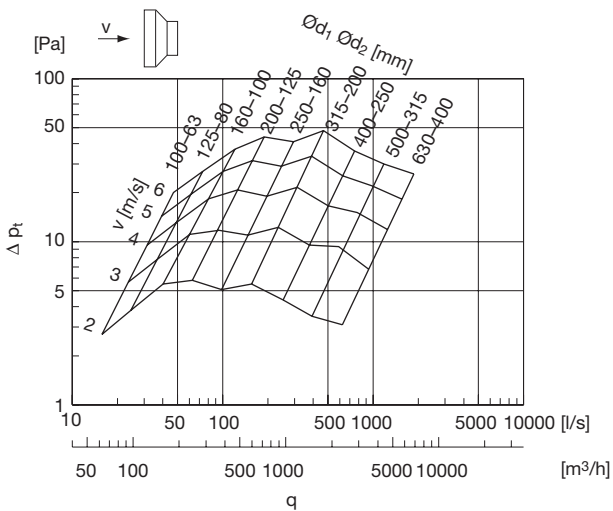
RCFUSS

Technical data

1 dimension step



2 dimension steps



3 dimension steps

