

Plenum box wall

PVWU/PVWUU



Description

The plenum box is intended for supply and exhaust air.

PVWU has female connection and is intended to accommodate directly a valve. PVWUU has Lindab Safe® connection and is intended to accommodate a valve with a duct.

It is designed for wall installation but can be used at other locations as well.

All types have couplings with Lindab safe sealings for connections of SR spiral-seamed ducts or semiflexible ducts LFPE. Boxes with Ø 76 couplings with Lindab safe sealings are intended for direct connection of the semiflexible duct LFPE. It is not intended for SR spiral-seamed duct.

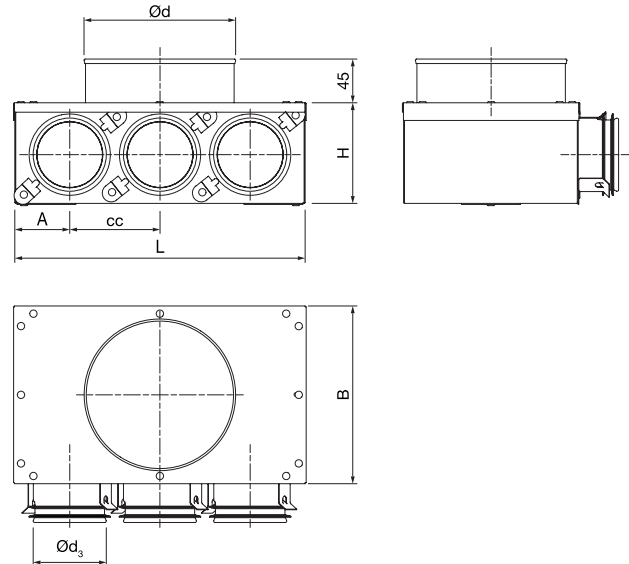
The Smart Lock function allows you to fasten LFPE effortlessly to the Safe couplings.

Fulfils the requirements for air tightness class D.

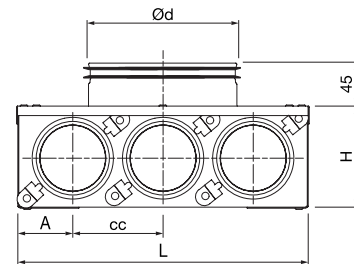
The shown pressure drop is for the box alone, which means that the pressure drop for the valve has to be added.

Dimensions

PVWU



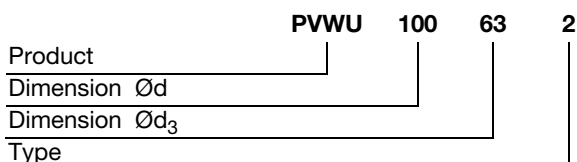
PVWUU



| Ød nom | Ød ₃ nom | Type** | L mm | B mm | H mm | cc mm | A mm | m kg |
|--------|---------------------|--------|------|------|------|-------|------|------|
| 80 | 63 | 1 | 174 | 126 | 85 | - | 87 | 0,55 |
| 100 | 63 | 1 | 174 | 126 | 85 | - | 87 | 0,56 |
| 100 | 63 | 2 | 174 | 126 | 85 | 78 | 48 | 0,59 |
| 100 | 63 | 3 | 249 | 126 | 85 | 78 | 47 | 0,83 |
| 125 | 63 | 1 | 174 | 151 | 85 | - | 87 | 0,57 |
| 125 | 63 | 2 | 174 | 151 | 85 | 78 | 48 | 0,60 |
| 125 | 63 | 3 | 249 | 151 | 85 | 78 | 47 | 0,84 |
| 80 | 76 | 1 | 174 | 126 | 103 | - | 87 | 0,56 |
| 100 | 76 | 1 | 174 | 126 | 103 | - | 87 | 0,57 |
| 100 | 76 | 2 | 249 | 126 | 103 | 126 | 62 | 0,60 |
| 125 | 76 | 1 | 249 | 151 | 103 | - | 125 | 0,80 |
| 125 | 76 | 2 | 249 | 151 | 103 | 126 | 62 | 0,84 |
| 125 | 76 | 3 | 321 | 151 | 103 | 100 | 61 | 0,90 |
| 100 | 80 | 1 | 174 | 126 | 103 | - | 87 | 0,57 |
| 125 | 80 | 1 | 249 | 151 | 103 | - | 125 | 0,80 |
| 125 | 80 | 2 | 249 | 151 | 103 | 126 | 62 | 0,84 |

** Number of Ød₃ connections.

Ordering example

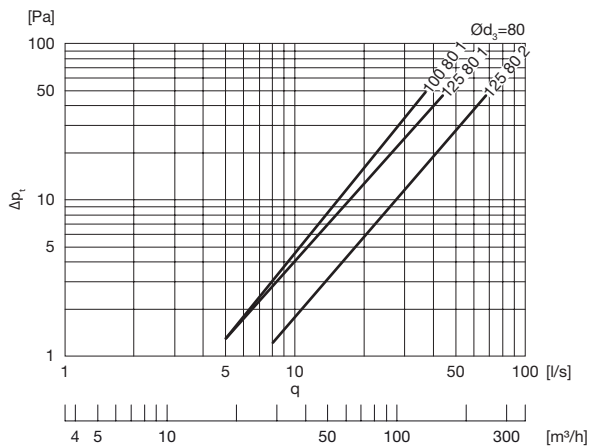
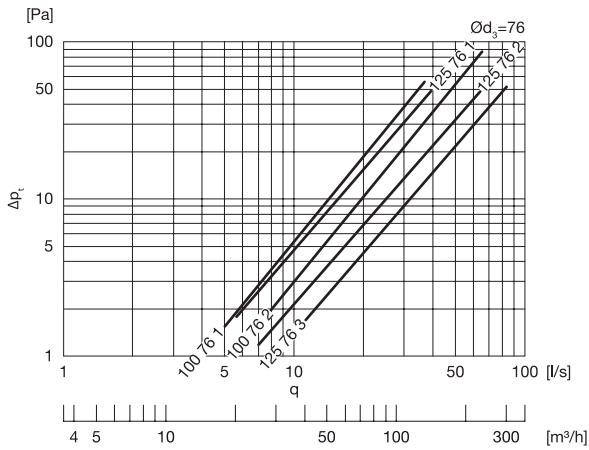
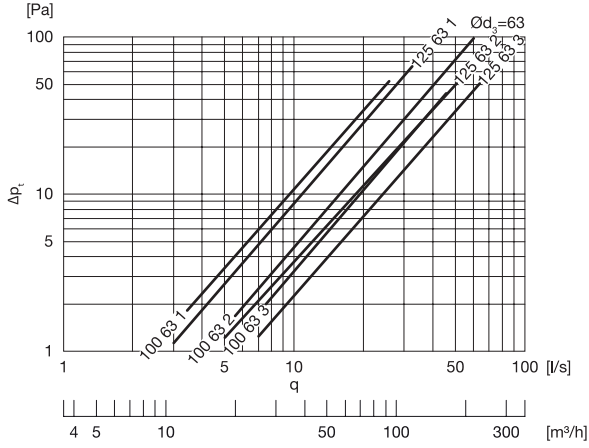


Plenum box wall

PWWU/PWWUU

Technical data

Supply



Extract

