

Cleanable filter

IFU

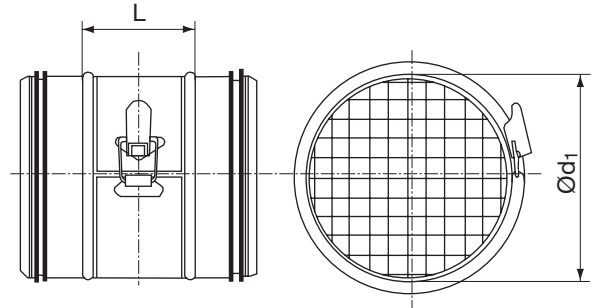


Description

Insertion filter type IFU is a simple, practical solution for small ventilation systems, where rough filtration is advisable. IFU is equipped with a G3-filter, placed in a cassette with a fine-meshed net (wire size 1 mm) on the one side and a 0,5" wire mesh on the other side.

The filter is easy to clean. Just open the clamp on the side, and take out the whole cassette for cleaning or replacement of the filter.

Dimensions



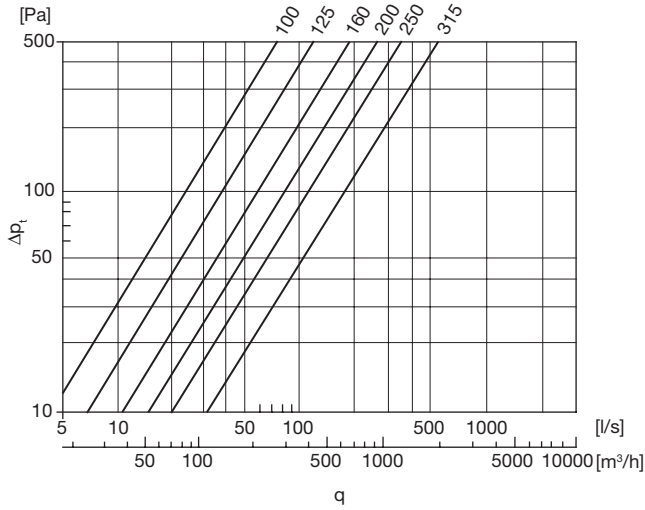
Ød ₁ nom	L mm	Filter class	m kg
100	70	G3	0,5
125	70	G3	0,5
160	70	G3	0,7
200	70	G3	0,9
250	70	G3	1,1
315	70	G3	1,3

Cleanable filter

IFU

Technical data

Filter + net



Net

